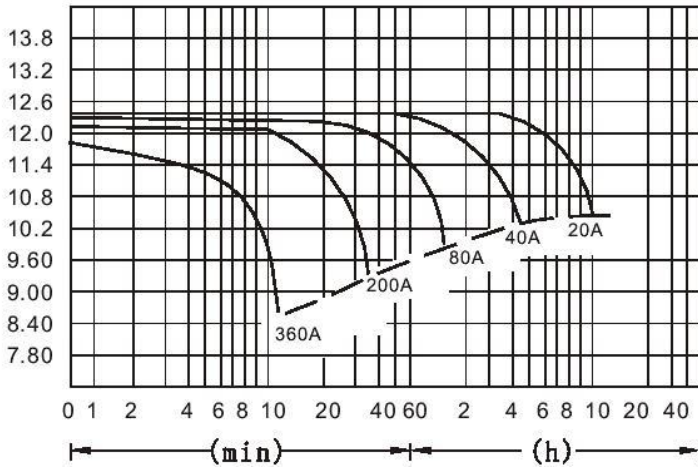
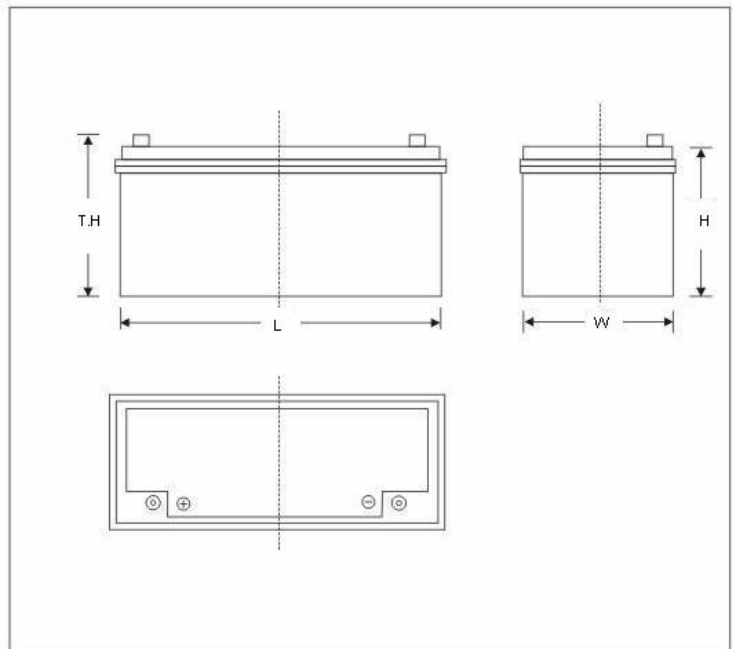




AVANTAJ VALVE REGULATED  
GEL BATTERY  
AGK 152.3.35 200 Ah



**AGK**



§ Charactersitics				
<u>Capacity</u> 25 °C	20 hour rate	200 Ah	<u>Dimentiones</u>	
	10 hour rate	180 Ah		
	5 hour rate	160 Ah		
	1 hour rate	120 Ah		
<u>Internal Resistance</u>	Full Charged Battery 25 °C		6 m	
	<u>Capacity affected by Temperature</u> (20 hour rate)	40 °C	102 %	  © ISO 9001 Certified
		25 °C	100 %	
		0 °C	98 %	
-18 °C		95 %		
<u>Self Discharge</u>	Capacity after 3 month storage		99 %	
	Capacity after 6 month storage		98 %	
	Capacity after 12 month storage		95 %	
<u>Charge (constant Voltage)</u>	Cycle	Initial Charging Current less than 200 A Voltage 14,5~14,9 V/6 V (25 °C)		
	Float	Voltage 13,6~13,8 V/6 V (25 °C)		
		Length (mm) L	518	
		Width (mm) W	276	
		Heigth (mm) H	245	
		T. Heigth (mm) TH	245	

The above datas are values , and can be obtained within 3 charge/didcharge cycles.These are not minimum values.

Be°evler Mah . Lefko°e Cad. No:102 Orhaneli Yolu Nilüfer Bursa Tel:022 452 89 88 Fax 0224 451 30 38  
[www.avantajaku.com](http://www.avantajaku.com) bilgi@avantajaku.com